

# LUX



DIMMABLE LED

## MR16 (GU5.3)

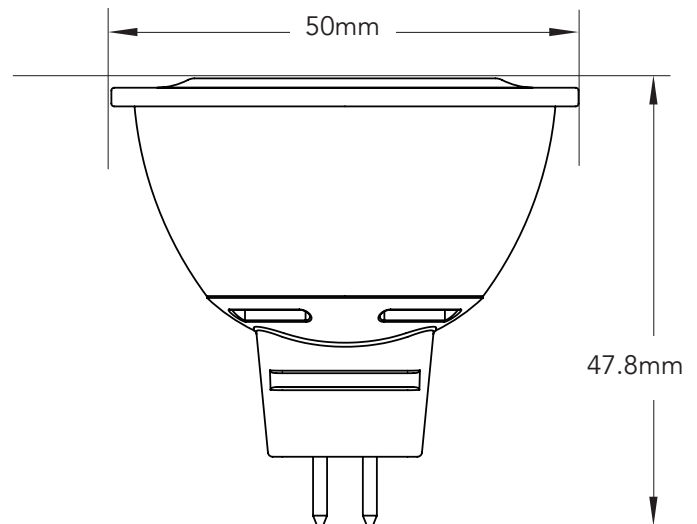


### BENEFITS

- Traditional MR16 form factor of 50mm x 48mm
- 500 lumens output for true 65W Halogen replacement
- Excellent color rendering of 95 CRI
- Qualified for Energy Star
- Smooth dimming
- Maintenance Free with 25,000 hour lifetime

### FEATURES

LED Power	7W
Delivered Lumens	500lm
Equivalent Source	35W-65W
Color Rendering	80-95 CRI
L70 lm Maintenance Lifetime	25,000 hours
Base	GU5.3
Beam Angle	25°/ 38°
Operating Temperature	-20°C to +40°C
Voltage	12V
Power Factor	0.9



### APPLICATIONS



Restaurant



Hotel



Museum/Gallery



Retail

Last updated: 04/08/16



DIMMABLE LED

**MR16 (GU5.3)**



### SPECIFICATIONS

PRODUCT	MODEL	WATTAGE	BEAM ANGLE	LUMENS	CRI	CCT	BASE	LIFETIME	DIM	ENERGY STAR
MR16 GU5.3	LMR16JAGU53D07-30KF*	7W	38°	500lm	80	3000K	GU5.3	25000h	Yes	Yes
MR16 GU5.3 High CRI	LMR16JCGU53D07-27KNH	7W	25°	500lm	94	2700K	GU5.3	25000h	Yes	Yes
	LMR16JCGU53D07-30KNH	7W	25°	500lm	95	3000K	GU5.3	25000h	Yes	Yes
	LMR16JCGU53D07-27KFH	7W	38°	500lm	94	2700K	GU5.3	25000h	Yes	Yes
	LMR16JCGU53D07-30KFH	7W	38°	500lm	95	3000K	GU5.3	25000h	Yes	Yes

\*Discontinued but available while stock lasts

### LIGHTING FACTS (PER LAMP)

**Brightness** 500lm

**Estimated Yearly Energy Cost**

Based on 3 hrs/day, 11¢ /kWh.  
Cost depends on rates and use.



**\$0.84**

**Life** 22.8 years

Based on 3 hrs/day

**Energy Used** 7W

### Light Appearance

**Light Color** 3000 (Warm White)  
Correlated Color Temperature (CCT)



### INCANDESCENT EQUIVALENT

**35W-65W  
HALOGEN**



**7W  
LED SPOTLIGHT**

### CAUTIONS

Suitable for use in open luminaires (fixtures). Do not use in enclosed fixtures. Do not use where exposed directly to weather or water. Temperature range of -20°C and + 40°C. Not intended for use with emergency exit features or emergency lighting. Risk of electric shock or burns. Turn power off and let cool before inspection or replacement. Do not open – no user serviceable parts inside. This product is not compatible with photo controls, occupancy sensor, or timing devices.

**NOTE:** This device complies with Part 15 of the FCC Rules. Operation is subject to the following two conditions:

1. This device may not cause harmful interference
2. This device must accept any interference received, including interference that may cause undesired operation.

\*22.8 years means rated average life based on engineering testing and probability analysis where the lamp is used on average 3hours/day, 7days a week.