

LUX

DIMMABLE

MR16 • GU10/GU5.3

CE RoHS



BENEFITS

- Consistent and balanced light
- Multiple beam angles from Narrow to Flood
- Maintenance Free with 25,000 hour lifetime

FEATURES

| LED Power | 6.5W | 7W |
|-----------------------------|----------------|-----------|
| Delivery Lumen | 400-450lm | 450-480lm |
| Equivalent Source | 40W Halogen | |
| Color Rendering | 80 CRI | |
| L70 lm Maintenance Lifetime | 25,000 hours | |
| Base | GU10 | GU5.3 |
| Beam Angle | 25°/ 36° | |
| Operating Temperature | -20°C to +40°C | |
| Voltage | 220V-240V | 12V |
| Power Factor | 0.9 | |

APPLICATIONS



Restaurant



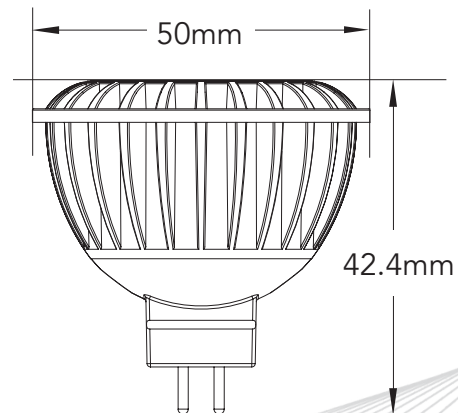
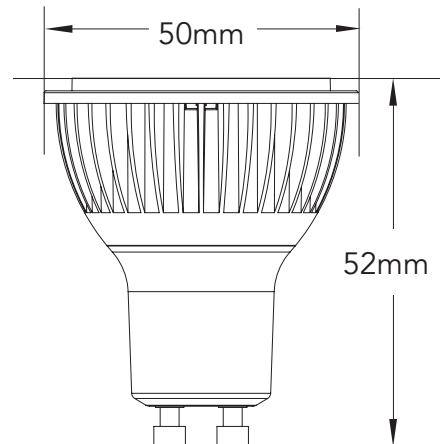
Hotel



Museum/Gallery



Retail



Last updated: 08/24/15

Please ask your sales representative for the MLQ of for this product.



DIMMABLE

MR16 • GU10/GU5.3



SPECIFICATIONS

| PRODUCT | MODEL | WATTAGE | BEAM ANGLE | LUMENS | CRI | CCT* | BASE | LIFETIME | DIMMABLE |
|--------------|--------------------|---------|------------|--------|-----|-------|-------|----------|----------|
| 6.5W GU10 | EULMRXGU10D07U-27K | 6.5W | 25°/ 36° | 400lm | 80 | 2700K | GU10 | 25000h | Yes |
| | EULMRXGU10D07U-30K | 6.5W | 25°/ 36° | 450lm | 80 | 3000K | GU10 | 25000h | Yes |
| 7W GU5.3 | EULMRXGU53D07U-27K | 7W | 25°/ 36° | 450lm | 80 | 2700K | GU5.3 | 25000h | No |
| | EULMRXGU53D07U-30K | 7W | 25°/ 36° | 480lm | 80 | 3000K | GU5.3 | 25000h | No |

* 4000K/5000K available through special order

LIGHTING FACTS (PER LAMP)

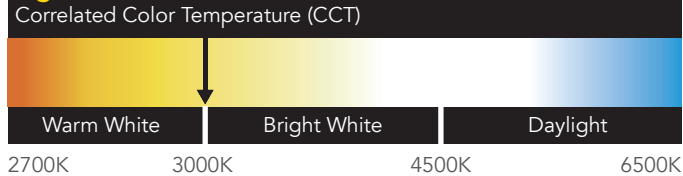
Brightness 400lm / 480lm

Life 22.8 years
Based on 3 hrs/day

Energy Used 6.5W / 7W

Light Appearance

Light Color 3000 (Warm White)
Correlated Color Temperature (CCT)



INCANDESCENT EQUIVALENT

40W
HALOGEN

Up to
84%
energy
savings

6.5W / 7W
LED SPOTLIGHT

CAUTIONS

Suitable for use in open luminaires (fixtures). Do not use in enclosed fixtures. Do not use where exposed directly to weather or water. Temperature range of -20°C and + 40°C. Not intended for use with emergency exit features or emergency lighting. Risk of electric shock or burns. Turn power off and let cool before inspection or replacement. Do not open – no user serviceable parts inside. This product is not compatible with photo controls, occupancy sensor, or timing devices.

NOTE: This device complies with Part 15 of the FCC Rules. Operation is subject to the following two conditions:

1. This device may not cause harmful interference
2. This device must accept any interference received, including interference that may cause undesired operation.

*22.8 years means rated average life based on engineering testing and probability analysis where the lamp is used on average 3hours/day, 7days a week.